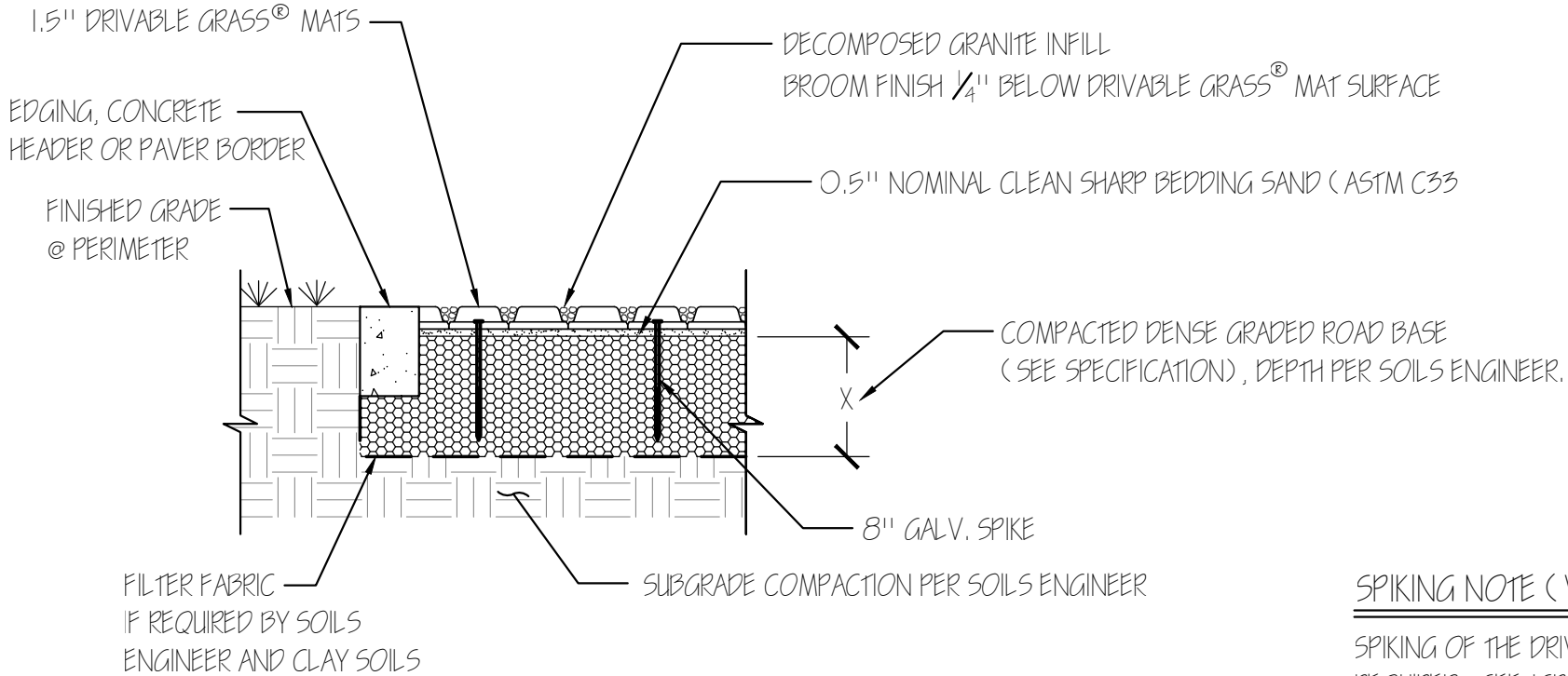


DRIVABLE GRASS<sup>®</sup> CONCRETE MAT



TYPICAL PROFESSIONAL DRIVABLE GRASS<sup>®</sup> DETAIL WITH DECOMPOSED GRANITE INFILL

SCALE: 1" = 1'

SPIKING NOTE (VEHICULAR DRIVING):  
 SPIKING OF THE DRIVABLE GRASS<sup>®</sup> MATS IS REQUIRED. SEE 'SPIKING DETAIL'.



PROTECTED BY US AND INTERNATIONAL PATENTS AND TRADEMARKS