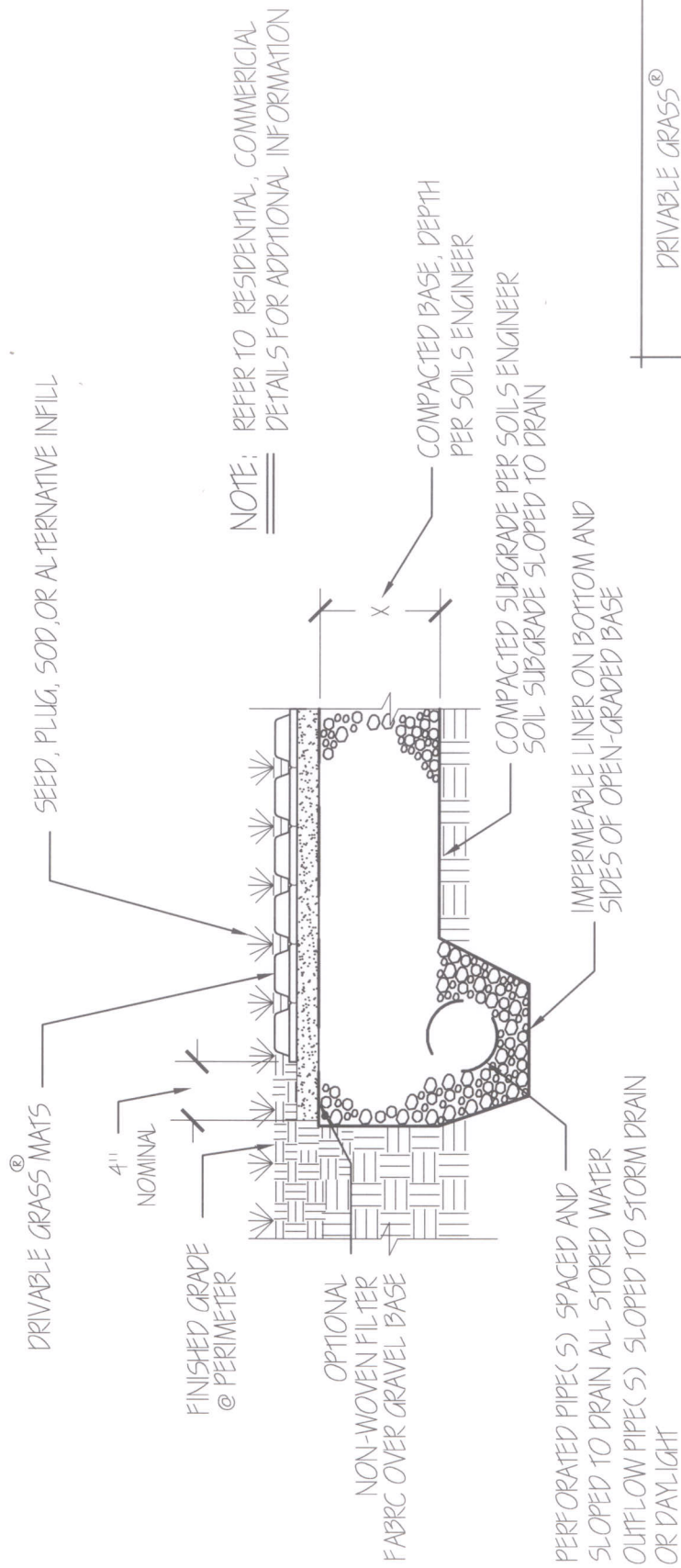


NOTE:

FOR STORMWATER MANAGEMENT APPLICATIONS INCLUDING STORAGE AND INFILTRATION, ALTERNATE INFILLS, BASE MATERIAL, AND DRAINAGE MAY BE REQUIRED



DG
7

ZERO EXFILTRATION TO SUBGRADE DETAIL

SCALE: 1" = 1'

DRIVABLE GRASS®
PROTECTED BY US AND INTERNATIONAL PATENTS AND TRADEMARKS